

ISAMMDoF2015

**International Symposium on Advanced Materials
Having Multi-Degrees-of-Freedom
– Optical properties, Structural Analyses,
Imaging and Informatics of Materials –**

**November 2-3, 2015
Kumamoto University,
Kumamoto, JAPAN**

SCOPE

The scope of the symposium covers comprehensive researches on material science and technology for advanced materials having multi-DoF. The following topics will be discussed in this symposium.

- Structure and electronic states for optical functionalities
- Structural imaging at active sites in advanced materials
- Superionic conducting phenomena
- Hierarchical macro-structured materials
- Optical properties of amorphous materials
- Dynamic processes under high temperature and high pressure
- Novel methods for spectroscopy and analysis materials
- Control methods of multi-DoF by using extreme conditions

URL: <http://phys.ipps.kumamoto-u.ac.jp/ISAMMDoF2/>

SESSIONS

Mon, 2nd Nov, 2015		
Registration	9:00~9:25	2F Lobby
Opening (Prof. H. Akiyama, Director, IPPS)	9:25~9:30	D201
Session 1 (Chair: S. Hosokawa)	9:30~11:00	D201
<i>Coffee Break</i>	11:10~11:15	2F Lobby
Session 2 (Char: F. Shimojo)	11:15~12:45	D201
<i>Lunch Break</i>	12:45~13:50	
Session 3 (Char: M. Aniya)	13:50~15:05	D201
<i>Coffee Break</i>	15:05~15:20	2F Lobby
Short presentation for poster	15:20~16:08	D201
Photo	16:08~16:15	D201
Poster presentation-1 & -2	16:00~17:45	D211 & D314
Casual reception	18:00~	Forico
Tue, 3rd Nov, 2015		
Session 4 (Chair: Y. Nakamura)	9:00~11:00	D201
<i>Coffee Break</i>	11:00~11:15	2F Lobby
Session 5 (Chair: D. Kosumi)	11:15~12:30	D201
<i>Lunch Break</i>	12:30~13:45	
Session 6 (Chair: S. Ohmura)	13:45~15:30	D201
Closing (I. Akai)	15:30~15:35	D201

- Poster presentation accompanied with a short advertising oral talk (2 minutes)

VENUE

The technical sessions will be held at Kurokami South E3 Bldg. (Faculty of Science Bldg. 3) in Kumamoto University.

- Address:
Kumamoto University,
2-39-1 Kurokami Chuo-ku, Kumamoto 860-8555, Japan
URL: <http://ewww.kumamoto-u.ac.jp/>
- Access: http://ewww.kumamoto-u.ac.jp/en/about/access/access_map/
- Campus map: <http://ewww.kumamoto-u.ac.jp/en/about/access/campus/>

INVITED SPEAKERS

- Dr. Pawel Korecki
"What can we learn from table-top x-ray fluorescence holography experiments?"
Jagiellonian University, Krakow, Poland
- Dr. Manaschai Kunaseth
"Conformational analysis of long-chain cyclodextrin for drug delivery application"
Nanoscale Simulation Laboratory, National Nanotechnology Center (NANOTEC), National Science and Technology Development Agency (NSTDA), Thailand
- Dr. Jiri Orava
"Chalcogenide Glasses for Phase-Change Memory: Beyond the Silicon"
University of Cambridge, Department of Materials Science & Metallurgy, UK
- Professor Chongxin Shan
"ZnO: From Optoelectronic Materials to Devices"
Changchun Institute of Optics, Fine Mechanics and Physics, Chinese Academy of Sciences, China
- Mr. Artur V. Trifonov
"Quantum beats of quantum confined exciton states in quantum wells"
Spin Optics Laboratory, Saint-Petersburg State University, Russian Federation
- Professor Koichi Hayashi
"Exploring applications of X-ray fluorescence holography"
Nagoya Institute of Technology, Japan
- Professor Kenji Ohoyama
"Progress of Neutron Atomic Resolution Holography for Observations of Light Elements"
Ibaraki University, Japan
- Associate Professor Fumihiko Matsui
"3D Atomic Structure Imaging of Superconductors and Magnetic Materials by Photoelectron Holography"
Nara Institute of Science and Technology, Japan
- Professor Atsushi A. Yamaguchi
"Optical Polarization Properties and Carrier Recombination Dynamics in InGaN Quantum Wells"
Optoelectronic Device System Research & Development Center, Kanazawa Institute of Technology, Japan
- Assistant Professor Satoshi Ohmura
"Doping Effect on Photoabsorption and Charge Dynamics in Molecular Graphene-Fulleren Heterojunction"
Hiroshima Institute of Technology, Japan
- Lecturer Masahiro Ikeda
"Non-Arrhenius transport property in glass-forming materials"
National Institute of Technology, Fukui College, Japan

ORGANIZING COMMITTEE

- Ichiro Akai (Chair), Institute of Pulsed Power Science, Kumamoto University, Japan
- Masaru Aniya, Graduate School of Science & Technology, Kumamoto University, Japan
- Fuyuki Shimojo, Graduate School of Science & Technology, Kumamoto University, Japan
- Shinya Hosokawa, Graduate School of Science & Technology, Kumamoto University, Japan
- Masaharu Mitsunaga, Graduate School of Science & Technology, Kumamoto University, Japan
- Yusui Nakamura, Graduate School of Science & Technology, Kumamoto University, Japan
- Daisuke Kosumi, Institute of Pulsed Power Science, Kumamoto University, Japan

SPONSORS

- Kumamoto University
- Kumamoto University, Institute of Pulsed Power Science
- Kumamoto University, Graduate School of Science & Technology

ACCESS MAP (DOWNTOWN ↔ KUMAMOTO UNIV.)

- Kumamoto University
URL: http://ewww.kumamoto-u.ac.jp/en/about/access/access_map/



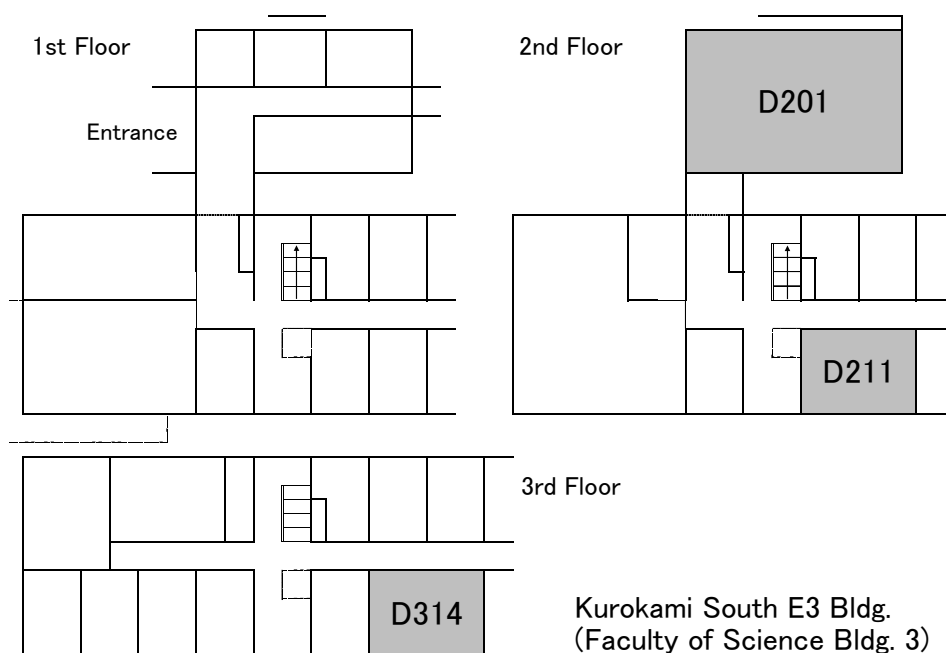
Kumamoto University is located 2.2 km from the downtown (Touricho-suji, Suido-cho). City bus services (15 ~ 20 minutes) connect the university with the downtown.

- (A) Bus stop (Tatsuta Shizen-Koen Iriguchi) from downtown
- (B) Bus stop (Tatsuta Shizen-Koen Iriguchi) to downtown
- (C) Bus stop (Kumamoto Digaku Mae) from downtown
- (D) Bus stop (Kumamoto Digaku Mae) to downtown
- Downtown (Touricho-suji, Suido-cho)

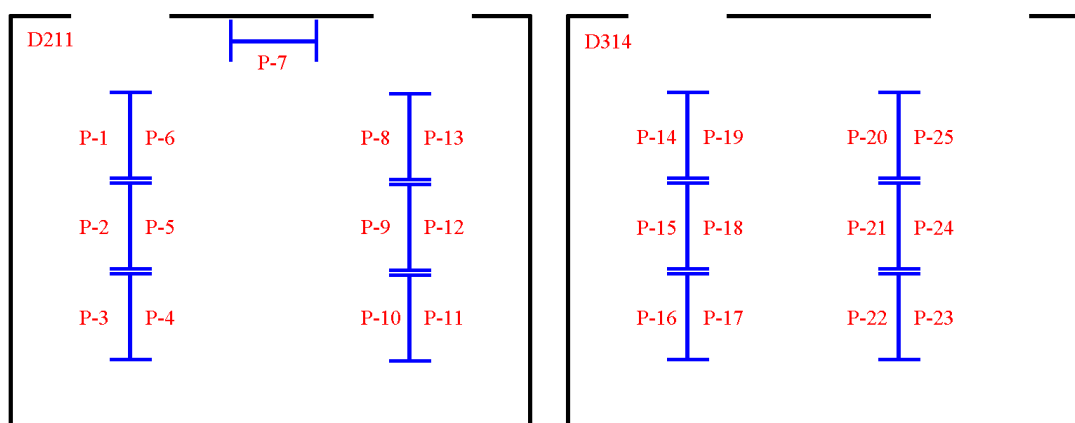


- Hotel Mielparque Kumamoto
URL: <http://www.mielparque.jp/kumamoto/en/>
- (E) Bus stop (Suidou-cho): Departing bus station of the city bus services bound for Kumamoto University. Buses indicated with 子 1, 子 7, 子 8, 子 9, 子 18 or 子 20 go to Kumamoto University from this bus station. About 15~20 minutes for the University.
- (F) Bus stop (Suidou-cho): Arrival bus stop from Kumamoto University.
- (G) Bus stop (Touricho-suji): Departing bus station of highway-buses bound for Fukuoka and Aso Kumamoto Airports.
- (H) Bus stop (Touricho-suji): Arrival bus stop for the highway-buses from Fukuoka and Aso Kumamoto Airports and city bus services from Kumamoto university.
- (J) Bus stop (Touricho-suji) Departing bus station of the city bus services bound for Kumamoto university. Buses indicated with 子 1, 子 7, 子 8, 子 9, 子 18 or 子 20 go to Kumamoto university from this bus station. About 15~20 minutes for the university.

FLOOR GUIDE (Kurokami South E3 Bldg.)



POSTER SESSION



INSTRUCTION FOR PRESENTERS

We will prepare a PC projector (SVGA: 1024x768). The presenters of invited talks and oral presentations should check if their own laptop PC could be correctly connected to the projector.

- Invited talks :

Allotted time : 45 or 30 minutes (including the time for Q & A)

- Oral presentations ;

Allotted time : 15 minutes (including the time for Q & A)

- Poster presentations :

Short oral presentations are accompanied before the poster presentations.

Poster boards : 180H x 120W

Short oral presentations : Allotted time : 2 minutes (without Q & A)

The posters must be fixed with pins. Posters should stay on display during the symposium.

Presenting authors should submit an extended abstract. The extended abstract is requested to have two or more pages of A4 size and should include a summary less than 50-words. The format of the summary is free.

ISAMMDoF2015

2nd International Symposium on Advanced Materials Having Multi-Degrees-of-Freedom

- Optical properties, Structural analyses, Imaging and Informatics of materials -

<http://phys.ipps.kumamoto-u.ac.jp/ISAMMDoF2/index.html>

2nd ~ 3rd November, 2015,

Kurokami South E3 Bldg. (Faculty of Science Bldg. 3), Kumamoto University,
Kumamoto JAPAN

Mon, 2nd Nov, 2015

● Registration	9:00~9:25	2F Lobby
<hr/>		
● Opening (Prof. H. Akiyama, Director, IPPS)	9:25~9:30	D201
● Session 1 (Chair: S. Hosokawa)	9:30~	D201
9:30~10:15 I-1		14
What can we learn from table-top x-ray fluorescence holography experiments?		
P. Korecki, K. M. Dabrowski, D. T. Dul		
<i>Institute of Physics, Jagiellonian University, Krakow, Poland</i>		
10:15~11:00 I-2		16
Progress of Neutron Atomic Resolution Holography for Observations of Light Elements		
K. Ohoyama ¹ , K. Hayashi ² , N. Happono ³ , S. Hosokawa ⁴ , M. Harada ⁵ , Y. Inamura ⁵		
¹ Ibaraki University, Japan		
² Nagoya Institute of Technology, Japan		
³ Hiroshima City University, Japan		
⁴ Kumamoto University, Japan		
⁵ J-PARC Center, Japan		
<hr/>		
○ Coffee Break	11:00~11:15	2F Lobby
<hr/>		
● Session 2 (Chair: F. Shimojo)	11:15~	D201
11:15~12:00 I-3		19
Exploring applications of X-ray fluorescence holography		
K. Hayashi		
<i>Nagoya Institute of Technology, Japan</i>		
12:00~12:45 I-4		21
3D Atomic Structure Imaging of Superconductors and Magnetic Materials by Photoelectron Holography		
F. Matsui		
<i>Nara Institute of Science and Technology, Japan</i>		
<hr/>		
○ Lunch Break	12:45~13:50	
<hr/>		
● Session 3 (Chair: M. Aniya)	13:50~	D201

13:50~14:35 **I-5** 25

Chalcogenide Glasses for Phase-Change Memory: Beyond the Silicon

J. Orava

University of Cambridge, Department of Materials Science & Metallurgy, UK

14:35~14:50 **O-1** 28

Bayesian Estimation of Excitonic Absorption Spectra

K. Iwamitsu¹, S. Aihara², M. Okada^{3,4}, I. Akai⁵

¹*Faculty of Science, Kumamoto University,*

²*Graduate School of Science and Technology, Kumamoto University,*

³*Graduate School of Frontier Sciences, The University of Tokyo,*

⁴*Brain Science Institute, RIKEN,*

⁵*Institute of Pulsed Power Science, Kumamoto University*

14:50~15:05 **O-2** 31

Bayesian deconvolution of photoluminescence spectra of yellow 1S excitons in Cu₂O thin films sandwiched by MgO plates

S. Aihara¹, K. Gunji¹, K. Iwamitsu², M. Okada^{3,4}, I. Akai⁵

¹*Graduate School of Science and Technology, Kumamoto University,*

²*Faculty of Science, Kumamoto University,*

³*Graduate School of Frontier Sciences, The University of Tokyo,*

⁴*Brain Science Institute, RIKEN,*

⁵*Institute of Pulsed Power Science, Kumamoto University*

○ *Coffee Break* 15:05~15:20 2F Lobby

● **Short presentation for poster** **P-1**~**P-24** 15:20~ D201

● **Photo** 16:08~16:15 D201

● **Poster presentation-1** 16:15~17:45 D211

P-1 34

Synthesis and Structure of Tetra-Acetate-Bridged Binuclear Gd(III) Complex [(μ₄-OAc)₄(Gd^{III}H₂L)₂](ClO₄)₂ (OAc = Acetate, H₂L = Bis(5-methylimidazol-4-yl-methylideneamino-propyl)methylamine: Toward Magnetocaloric Material

M. Ito¹, D. Hamada¹, K. Miyano¹, N. Matsumoto¹, Y. Sunatsuki²

¹*Graduate School of Science and Technology, Kumamoto University,*

²*Department of Chemistry, Faculty of Science, Okayama University*

P-2 36

Syntheses, 1D Structure via Anion-Imidazole Hydrogen Bonds, and SCO Properties of [Fe^{III}(Him)₂(4-MeOhapen)]Y (Y = BF₄, PF₆, AsF₆, SbF₆, CF₃SO₃)

H. Ono¹, K. Miyano¹, T. Fujinami¹, N. Matsumoto¹, Y. Sunatsuki²

¹*Graduate School of Science and Technology, Kumamoto University,*

²*Department of Chemistry, Faculty of Science, Okayama University*

P-3 38

Synthesis, Structure, Luminescence, and Magnetic Properties of Acetate-Bridged Binuclear Zinc(II)-Lanthanide(III) Complexes (Ln^{III} = Nd^{III}, Sm^{III}, Eu^{III}, Gd^{III}, Tb^{III}, Dy^{III}, Ho^{III}, Er^{III})

H. Okabe¹, N. Matsumoto¹, Y. Sunatsuki², M. Tsuchimoto³

¹*Graduate School of Science and Technology, Kumamoto University,*

²*Department of Chemistry, Faculty of Science, Okayama University*

³*Chiba Institute of Technology*

P-4	<p>..... 40</p> <p>Chiral One-dimensional Spin Crossover Iron(III) Complex with Spin Transition Temperature around Room Temperature [Fe^{III}(Him)₂(6-MeOhapacen)]BPh₄</p> <p><u>T. Nishida</u>¹, K. Miyano¹, T. Fujinami¹, N. Matsumoto¹, A. Higashihara¹, R. Irie¹, Y. Sunatsuki²</p> <p>¹<i>Graduate School of Science and Technology, Kumamoto University,</i> ²<i>Department of Chemistry, Faculty of Science, Okayama University</i></p>
P-5	<p>..... 42</p> <p>Tetrameric Iron(II) Complex Assembled via Imidazole ... Chloride Hydrogen Bonds fac-[Fe^{II}(HL^{n-pe})₃]Cl·PF₆: Structural Study of Spin Transition</p> <p>M. Yamashita¹, Y. Ii¹, H. Ono¹, N. Matsumoto¹, Y. Sunatsuki²</p> <p>¹<i>Graduate School of Science and Technology, Kumamoto University,</i> ²<i>Department of Chemistry, Faculty of Science, Okayama University</i></p>
P-6	<p>..... 44</p> <p>Field-induced Single Ion Magnetic Properties of Mononuclear Dysprosium(III) Complex with Carbonate and Tripodal N₇ ligand [Dy^{III}(H₃L)CO₃]Cl·7H₂O</p> <p><u>A. Matsumoto</u>¹, K. Fukushige¹, K. Sugiura¹, K. Murakami¹, N. Matsumoto¹, Y. Sunatsuki², M. Weselski³, A. Bienko³, J. Mrozinski³</p> <p>¹<i>Graduate School of Science and Technology, Kumamoto University,</i> ²<i>Department of Chemistry, Faculty of Science, Okayama University</i> ³<i>University of Wrocław</i></p>
P-7	<p>..... 46</p> <p>Ferromagnetic Chiral One-Dimensional Polynuclear and Achiral Cyclic Tetranuclear Copper(II)-Lanthanide(III) Complexes Generated by Chiral and racemic "Ligand-Complex" Na[CuL^{dpen}]</p> <p><u>T. Ueno</u>¹, T. Fujinami¹, N. Matsumoto¹, M. Furusawa¹, R. Irie¹, Y. Sunatsuki², N. Re³, T. Kanetomo⁴, T. Ishida⁴</p> <p>¹<i>Graduate School of Science and Technology, Kumamoto University,</i> ²<i>Department of Chemistry, Faculty of Science, Okayama University</i> ³<i>Chieti University,</i> ⁴<i>Electro Communication University</i></p>
P-8	<p>..... 48</p> <p>Mononuclear and Acetate-bridged One-dimensional Polynuclear Mn(III) Complexes</p> <p><u>Y. Matsukata</u>¹, T. Toyama¹, D. Hamada¹, N. Matsumoto¹, Y. Sunatsuki², N. Re³</p> <p>¹<i>Graduate School of Science and Technology, Kumamoto University,</i> ²<i>Department of Chemistry, Faculty of Science, Okayama University</i> ³<i>Chieti University,</i></p>
P-9	<p>..... 50</p> <p>Observation of Excited-state Zeeman splittings by V-type electromagnetically induced transparency in Na vapor</p> <p><u>K. Shijo</u>, K. Harimaya, M. Mitsunaga</p> <p><i>Graduate School of Science and Technology, Kumamoto University,</i></p>
P-10	<p>..... 52</p> <p>Lineshape study and ac Stark shifts in N-type resonances in Na vapor</p> <p><u>K. Harimaya</u>, K. Shijo, M. Mitsunaga</p> <p><i>Graduate School of Science and Technology, Kumamoto University,</i></p>
P-11	<p>..... 55</p> <p>Photoluminescence spectra in Cu₂O thin crystals and thier polarization dependences</p> <p><u>K. Gunji</u>¹, S. Aihara¹, F. Ichikawa¹, I. Akai²</p> <p>¹<i>Graduate School of Science and Technology, Kumamoto University,</i> ²<i>Institute of Pulsed Power Science, Kumamoto University</i></p>

P-12	57
-------------------	----

Optimal Growth Condition of Layered Semiconductor BiI₃ Grown by Hot-Wall Method

R. Sakamoto¹, K. Iwamitsu², S. Aihara¹, F. Ichikawa², T. Shimamoto³, I. Akai³

¹ Graduate School of Science and Technology, Kumamoto University,

² Faculty of Science, Kumamoto University

³ Institute of Pulsed Power Science, Kumamoto University

P-13	60
-------------------	----

Long continuing coherent phonon in a bismuth thin-film

M. Hamamoto¹, K. Iwamitsu², I. Akai³

¹ Graduate School of Science and Technology, Kumamoto University,

² Faculty of Science, Kumamoto University

³ Institute of Pulsed Power Science, Kumamoto University

• Poster presentation-2

16:15~17:45 D314

P-14	62
-------------------	----

Polarization of Photoluminescence of Cd_{0.8}Mn_{0.2}Te under High Density Excitation of Localized Excitons

M. Nagata, T. Hirase, K. Miyajima

Department of Applied Physics, Graduate School of Science, Tokyo University of Science

P-15	66
-------------------	----

Crystallinity of tin oxide films grown by mist-CVD at atmospheric pressure

J. Matsushita¹, T. Otabe¹, T. Abe¹, K. Sue², Y. Nakamura^{1,2}

¹ Graduate School of Science and Technology, Kumamoto University,

² Faculty of Engineering, Kumamoto University,

³ Kumamoto Institute for Photo-Electro Organics

P-16	69
-------------------	----

Ion implantation of Phosphorus into ZnO films formed by mist-CVD

Y. Yokoyama¹, S. Wada¹, J. Oshino¹, Y. Naka¹, S. Nagaoka^{2,3}, Y. Nakamura^{1,3}

¹ Graduate School of Science and Technology, Kumamoto University,

² Kumamoto Industrial Research Institute,

³ Kumamoto Institute for Photo-Electro Organics

P-17	72
-------------------	----

A Crystallochemical Approach to Chalcogenide Glasses

Y. Harada, M. Aniya

Graduate School of Science and Technology, Kumamoto University,

P-18	74
-------------------	----

The Grüneisen Parameter of Ionic Conductors

E. Hirano, M. Aniya

Graduate School of Science and Technology, Kumamoto University,

P-19	76
-------------------	----

Configuration Entropy of Polymer Electrolytes: Evaluation based on the Bond Strength-Coordination Number Fluctuation Model

T. Morishita¹, E. Hirano, ¹ M. Ikeda², M. Aniya¹

¹ Graduate School of Science and Technology, Kumamoto University,

² National Institute of Technology, Fukui College

P-20	78
-------------------	----

A Model for the Particle Size Dependence of the Ionic Conductivity

K. Hagihara, M. Aniya

Graduate School of Science and Technology, Kumamoto University,

P-21	80
A Theoretical Model for the Non-Arrhenius Ionic Conductivity in Solid Electrolytes		
Y. Okada ¹ , M. Ikeda ² , M. Aniya ¹		
¹ <i>Graduate School of Science and Technology, Kumamoto University,</i>		
² <i>National Institute of Technology, Fukui College</i>		
P-22	82
Static Structure of V₂O₅ Glass : Ab Initio Molecular Dynamics Simulations		
Y. Kodama, A. Koura, F. Shimojo, S. Hosokawa		
<i>Department of Physics, Kumamoto University</i>		
P-23	85
PhotocARRIER RECOMBINATION DYNAMICS IN HALIDE ORGANOMETAL PEROVSKITE: NONADIABATIC Ab initio Molecular Dynamics simulations		
T. Hakamata ¹ , K. Shimamura ^{1,2} , F. Shimojo ¹ , R. K. Kalia ³ , A. Nakano ³ , P. Vashishta ³		
¹ <i>Department of Physics, Kumamoto University,</i>		
² <i>Graduate School of System Informatics, Kobe University,</i>		
³ <i>Collaboratory for Advanced Computing and Simulations, University of Southern California</i>		
P-24	87
XAFS analysis of TlInSe₂ thermoelectric material		
K. Kamimura ¹ , S. Hosokawa ¹ , N. Happo ² , K. Mimura ³ , N. Mamedov ⁴		
¹ <i>Kumamoto University, Japan,</i>		
² <i>Hiroshima City University, Japan,</i>		
³ <i>Osaka Prefecture University, Japan,</i>		
⁴ <i>Azerbaijan National Academy of Sciences, Azerbaijan</i>		
P-25	90
Local structure of Fe-Ni Inver alloy studied by x-ray fluorescence holography		
S. Hosokawa ¹ , Y. Ideguchi ¹ , K. Kamimura ¹ , K. Kimura ¹ , N. Happo ² , K. Hayashi ³		
¹ <i>Kumamoto University, Japan,</i>		
² <i>Hiroshima City University, Japan,</i>		
³ <i>Nagoya Institute of Technology, Japan</i>		

● Casual reception

18:00~

Forico

• Session 4 (Chair: Y. Nakamura)	9:00~	D201
9:00~9:45 I-6		92
ZnO: From Optoelectronic Materials to Devices		
C. X. Shan, B. H. Li, S. P. Wang, M. M. Jiang, D. Z. Shen		
<i>State Key Laboratory of Luminescence and Applications, Changchun Institute of Optics, Fine Mechanics and Physics, Chinese Academy of Sciences, China</i>		
9:45~10:30 I-7		94
Optical Polarization Properties and Carrier Recombination Dynamics in InGaN Quantum Wells		
A. A. Yamaguchi		
<i>Optoelectronic Device System Research & Development Center, Kanazawa Institute of Technology, Japan</i>		
10:30~11:00 I-8		96
Doping Effect on Photoabsorption and Charge Dynamics in Molecular Graphene-Fulleren Heterojunction		
S. Ohmura ¹ , K. Tsuruta ² , F. Shimojo ³ , A. Nakano ⁴		
¹ <i>Research Center for Condensed Matter Physics, Hiroshima Institute of Technology,</i>		
² <i>Department of Electrical and Electronic Engineering, Okayama University,</i>		
³ <i>Department of Physics, Kumamoto University,</i>		
⁴ <i>Collaboratory for Advanced Computing and Simulation, University of Southern California</i>		
<hr/>		
○ <i>Coffee Break</i>	11:00~11:15	2F Lobby
<hr/>		
• Session 5 (Chair: D. Kosumi)	11:15~	D201
11:15~11:45 I-9		98
Quantum beats of quantum confined exciton states in quantum wells		
A. V. Trifonov		
<i>Spin Optics Laboratory, Saint-Petersburg State University, Russian Federation</i>		
11:45~12:00 O-3		100
Syntheses, Structure, and Magnetic Properties of Carbonate-Bridged Ni^{II}Ln^{III} Complexes (Ln^{III} = Gd^{III}, Tb^{III}, Dy^{III}) Generated by Atmospheric CO₂ Fixation		
D. Hamada ¹ , S. Sakamoto ¹ , T. Fujinami ¹ , N. Matsumoto ¹ , Y. Sunatsuki ²		
¹ <i>Graduate School of Science and Technology, Kumamoto University,</i>		
² <i>Department of Chemistry, Faculty of Science, Okayama University</i>		
12:00~12:15 O-4		104
Spin Transition between High-spin (HS) and an Ordered Symmetry Breaking (3HS-LS) States of Fe^{III} Complex [Fe^{III}(Him)₂(4-MeOhapen)]CF₃SO₃		
K. Miyano ¹ , T. Nishida ¹ , H. Ono ¹ , D. Hamada ¹ , T. Fujinami ¹ , N. Matsumoto ¹ , Y. Sunatsuki ²		
¹ <i>Graduate School of Science and Technology, Kumamoto University,</i>		
² <i>Department of Chemistry, Faculty of Science, Okayama University</i>		
<hr/>		
○ <i>Lunch Break</i>	12:15~13:30	
<hr/>		
• Session 6 (Chair: S. Ohmura)	13:30~	D201

13:30~14:15	I-10	108
Conformational analysis of long-chain cyclodextrin for drug delivery application			
<u>M. Kunaseth</u>			
<i>Nanoscale Simulation Laboratory, National Nanotechnology Center (NANOTEC), National Science and Technology Development Agency (NSTDA), Thailand</i>			
14:15~14:45	I-11	110
Non-Arrhenius transport property in glass-forming materials			
<u>M. Ikeda</u> ¹ , <u>M. Aniya</u> ²			
¹ <i>Course of General Education, Natural Science, Applied Physics, National Institute of Technology, Fukui College,</i>			
² <i>Graduate School of Science and Technology, Kumamoto University</i>			
14:45~15:00	O-5	112
Static structure of glass $\text{Ag}_x(\text{GeSe}_3)_{1-x}$ based on <i>ab initio</i> molecular dynamics study			
<u>A. Koura</u> , <u>F. Shimojo</u> , <u>S. Hosokawa</u>			
<i>Department of Physics, Kumamoto University</i>			
15:00~15:15	O-6	116
Orientation Dependence of Shock Wave Propagation in Molecular Crystals: <i>Ab Initio</i> Molecular Dynamics Simulations			
<u>K. Shimamura</u> ^{1,2} , <u>M. Misawa</u> ¹ , <u>F. Shimojo</u> ¹ , <u>A. Nakano</u> ³ , <u>R. K. Kalia</u> ³ , <u>P. Vashishta</u> ³			
¹ <i>Department of Physics, Kumamoto University,</i>			
² <i>Graduate School of System Informatics, Kobe University,</i>			
³ <i>Collaboratory for Advanced Computing and Simulations, Department of Physics & Astronomy, Department of Computer Science, and Department of Chemical Engineering & Materials Science, University of Southern California</i>			

● **Closing (I. Akai)**

15:15~15:20 D201

Author Index

- << A >>
- Abe, T. 66
 Aihara, S. 28, 31, 55, 57
 Akai, I. 28, 31, 55, 57, 60
 Aniya, M. 72, 74, 76, 78, 80, 110
- << B >>
- Bienko, A. 44
- << D >>
- Dabrowski, K., M. 14
 Dul, D., T. 14
- << F >>
- Fujinami, T. 36, 40, 46, 100, 104
 Fukushima, K. 44
 Furusawa, M. 46
- << G >>
- Gunji, K. 31, 55
- << H >>
- Hagihara, K. 78
 Hakamata, T. 85
 Hamada, D. 34, 48, 100, 104
 Hamamoto, M. 60
 Happo, N. 16, 87, 90
 Harada, M. 16
 Harada, Y. 72
 Harimaya, K. 50, 52
 Hayashi, K. 16, 19, 90
 Higashihara, A. 40
 Hirano, E. 74, 76
 Hirase, T. 62
 Hosokawa, S. 16, 82, 87, 90, 112
- << I >>
- Ichikawa, F. 55, 57
 Ideguchi, Y. 90
 Ii, Y. 42
 Ikeda, M. 76, 80, 110
 Inamura, Y. 16
 Irie, R. 40, 46
 Ishida, T. 46
 Ito, M. 34
 Iwamitsu, K. 28, 31, 57, 60
- << J >>
- Jiang, M., M. 92
- << K >>
- Kalia, R., K. 85, 116
 Kamimura, K. 87, 90
 Kanetomo, T. 46
 Kimura, K. 90
 Kodama, Y. 82
 Korecki, P. 14
 Koura, A. 82, 112
- Kunaseh, M. 108
- << L >>
- Li, B., H. 92
- << M >>
- Mamedov, N. 87
 Matsui, F. 21
 Matsukata, Y. 48
 Matsumoto, A. 44
 Matsumoto, N. 34, 36, 38, 40, 42, 44, 46, 48, 100, 104
 Matsushita, J. 66
 Mimura, K. 87
 Misawa, M. 116
 Mitsunaga, M. 50, 52
 Miyajima, K. 62
 Miyano, K. 34, 36, 40, 104
 Morishita, T. 76
 Mrozinski, J. 44
 Murakami, K. 44
- << N >>
- Nagaoka, S. 69
 Nagata, M. 62
 Naka, Y. 69
 Nakamura, Y. 66, 69
 Nakano, A. 85, 96, 116
 Nishida, T. 40, 104
- << O >>
- Ohmura, S. 96
 Ohoyama, K. 16
 Okabe, H. 38
 Okada, M. 28, 31
 Okada, Y. 80
 Ono, H. 36, 42, 104
 Orava, J. 25
 Oshino, J. 69
 Otabe, T. 66
- << R >>
- Re, N. 46, 48
- << S >>
- Sakamoto, R. 57
 Sakamoto, S. 100
 Shan, C., X. 92
 Shen, D., Z. 92
 Shijo, K. 50, 52
 Shimamoto, T. 57
 Shimamura, K. 85, 116
 Shimojo, F. 82, 85, 96, 112, 116
 Sue, K. 66
 Sugiura, K. 44
 Sunatsuki, Y. 34, 36, 38, 40, 42, 44, 46, 48, 100, 104
- << T >>

Toyama, T.	48
Trifonov, A., V.	98
Tsuchimoto, M.	38
Tsuruta, K.	96

<< **U** >>

Ueno, T.	46
---------------	----

<< **V** >>

Vashishta, P.	85, 116
--------------------	---------

<< **W** >>

Wada, S.	69
Wang, S., P.	92
Weselski, M.	44

<< **Y** >>

Yamaguchi, A., A.	94
Yamashita, M.	42
Yokoyama, Y.	69